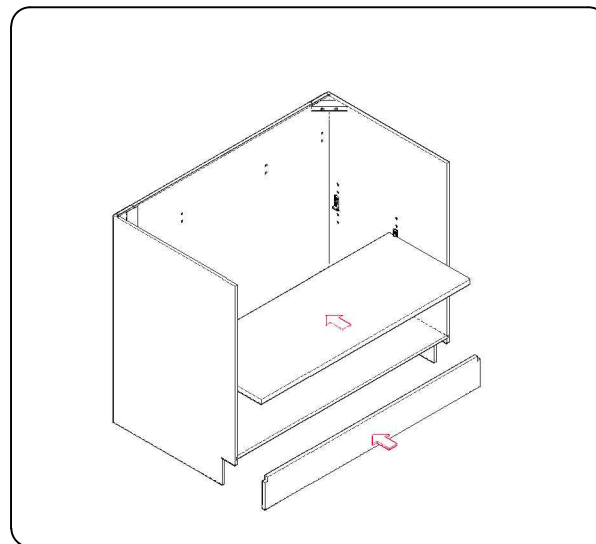
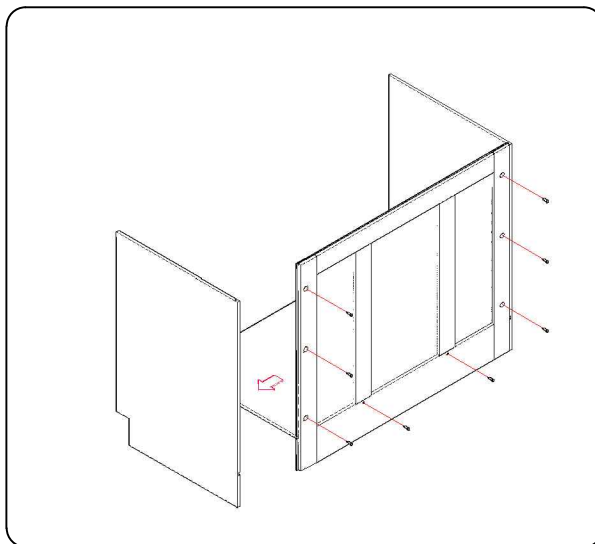
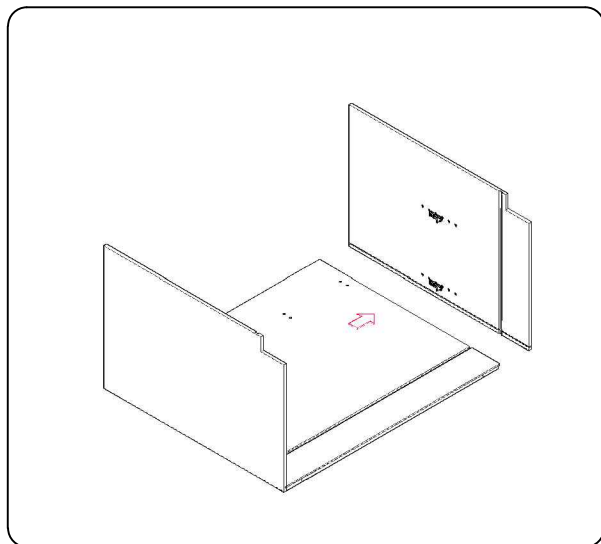
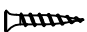
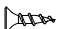

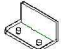

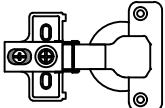
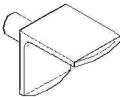


BLIND CORNER BASE

BBC33/39 BBC42/45B BC42/48



NO.	HARDWARE	
1	3.5×30SCREW=3	
2	4×14SCREW=16	
3	4×14SCREW=40	
4	"L"PLATE=10	 BUMPER=6 
5	SLIDES(S30-533-H)=1	
6	1¼-H HINGE=2	SUPPORT=4
7		
8		

