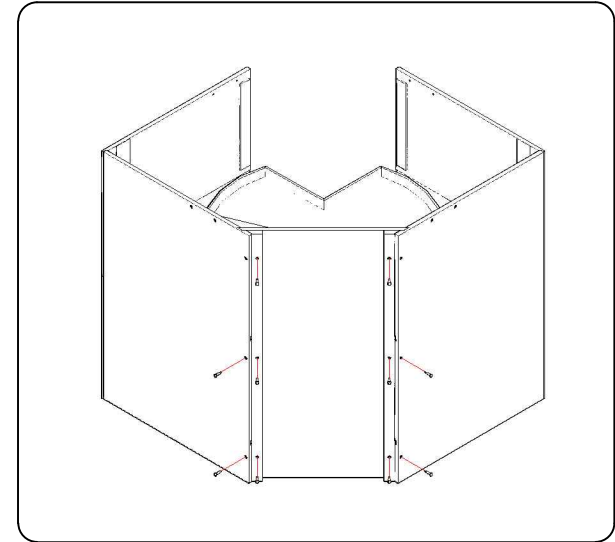
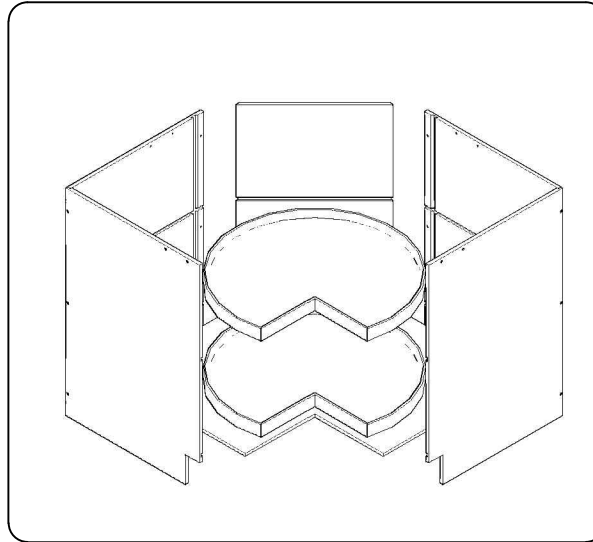
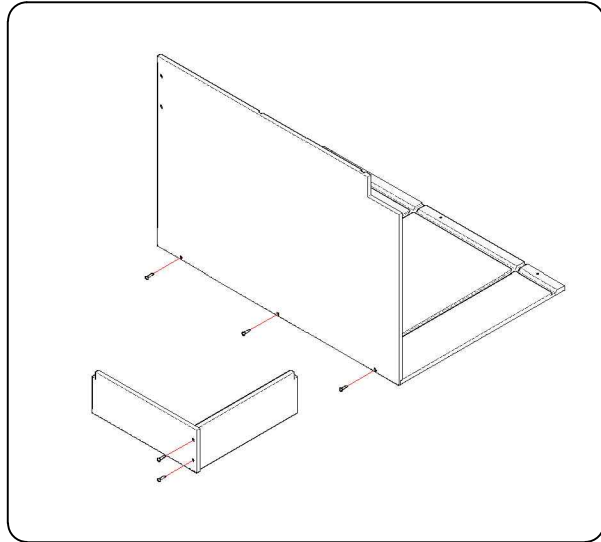
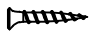
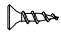

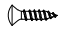
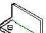




BLIND CORNER BASE

BLS33 BLS36



| NO. | HARDWARE |
|-----|---|
| 1 | 3.5×30 SCREW=45  |
| 2 | 4×16 SCREW=16  |
| 3 | 4×14 SCREW=12  |
| 4 | 3.5×12 SCREW=32  |
| 5 | "L"PLATE=8  BUMPER=4  |
| 6 | FULL OVERLAY HINGE=2  |
| 7 | CROSS HINGE=2 |
| 8 | PUSH-OPEN LATCH=1 |
| 9 | LAZY SUSAN=2 |

