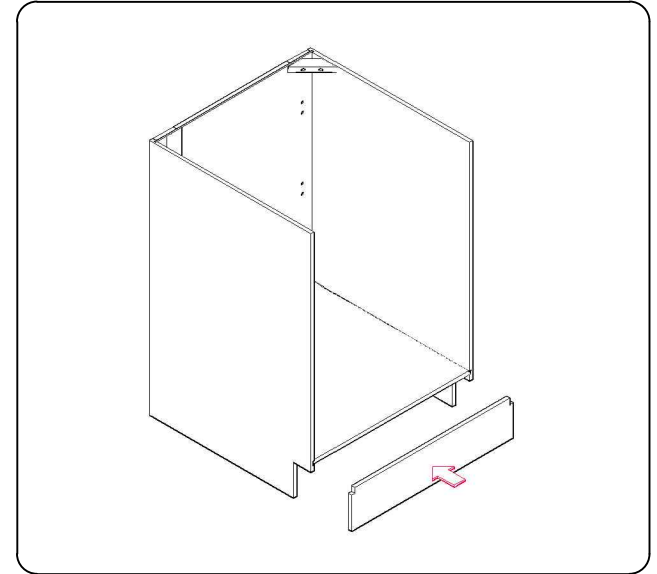
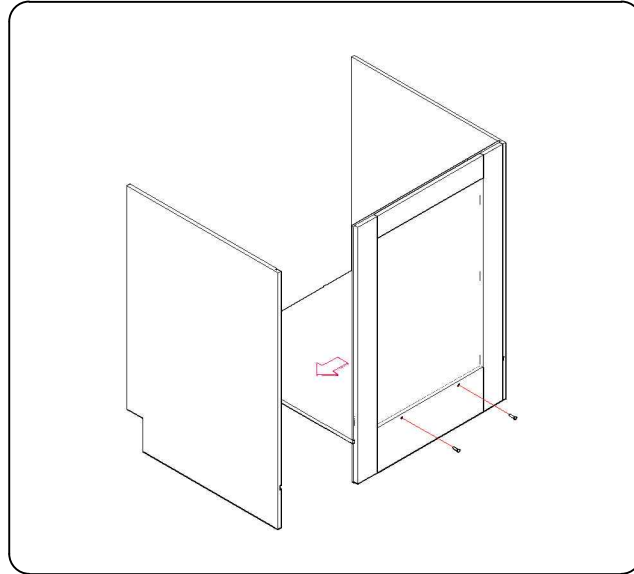
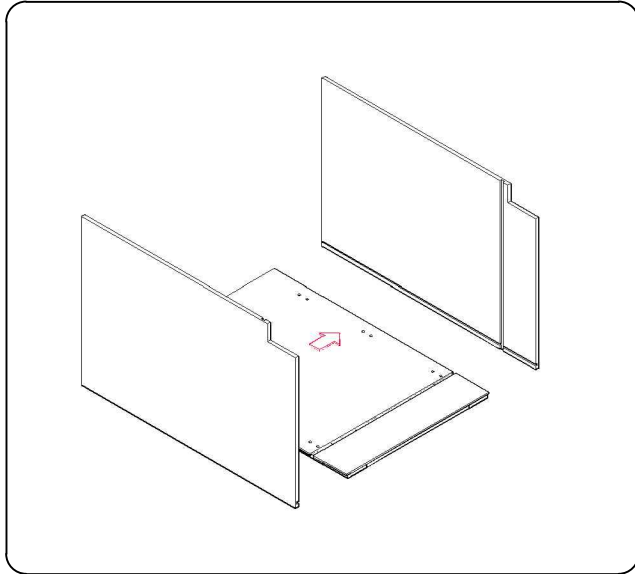
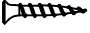

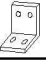




DRAWER BASE CABINET

DB12, DB15, DB18, DB21,
DB24, DB27, DB30, DB36, VDB12, VDB15, VDB18



NO.	HARDWARE
1	3.5×30SCREW=2/3 
2	4×14SCREW=16 
3	"L"PLATE=8/9 
4	BUMPER=12 
5	SLIDES=3
6	3.2×12SCREW=32/36 
7	
8	

