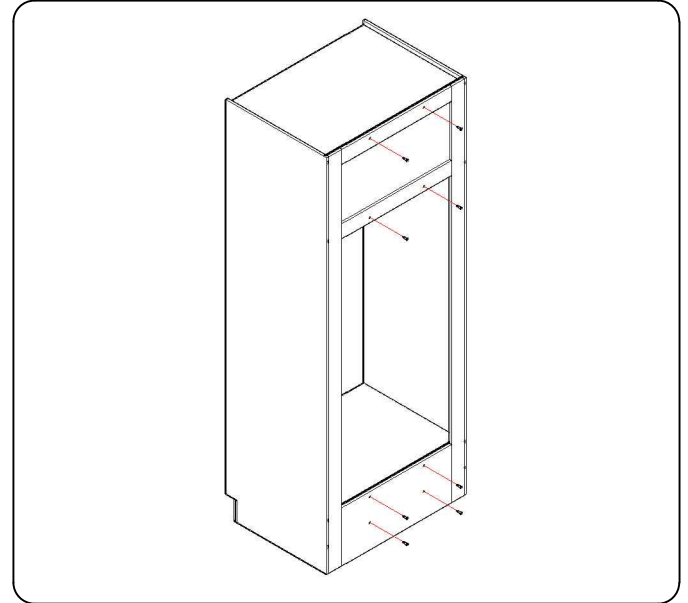
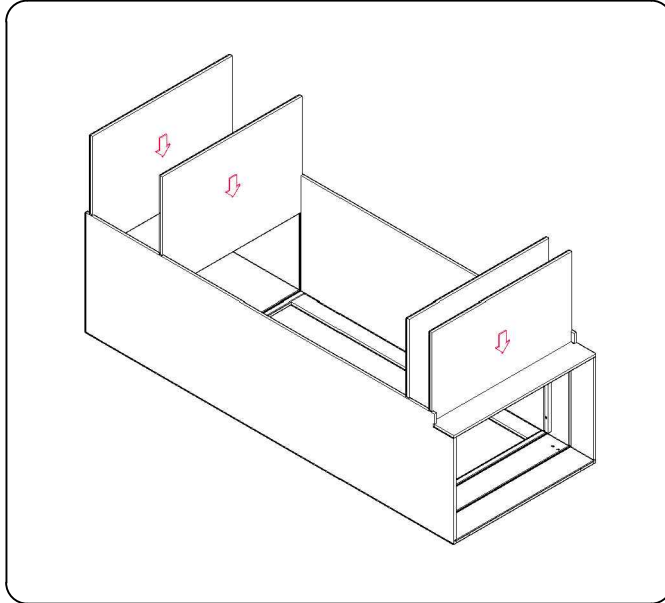
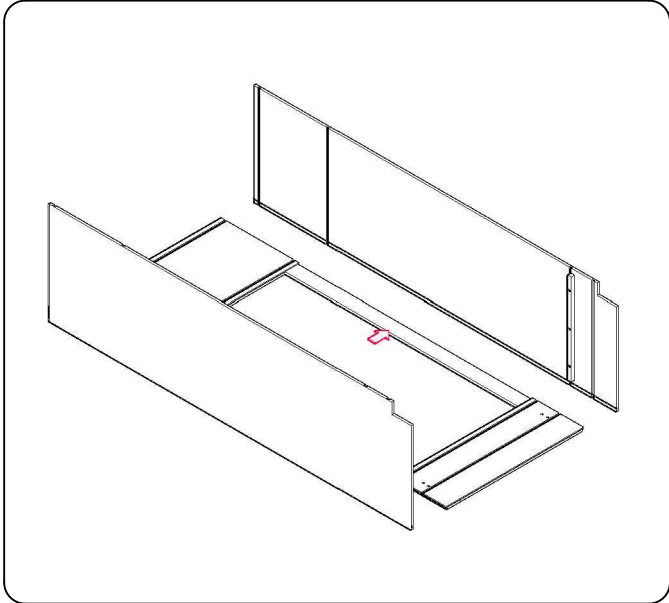
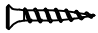
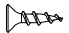



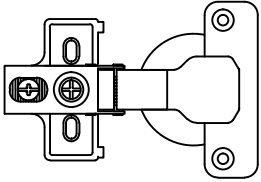


OVEN CABINET

OC338424 OC339024 OC339624



NO.	HARDWARE
1	4×25SCREW=18 
2	3.5×16SCREW=8 
3	4×14SCREW=52 
4	"L"PLATE=12  BUMPER=16 
5	SLIDES(S30-533-H)=3
6	$\frac{1}{4}$ -H HINGE=4 
7	
8	

