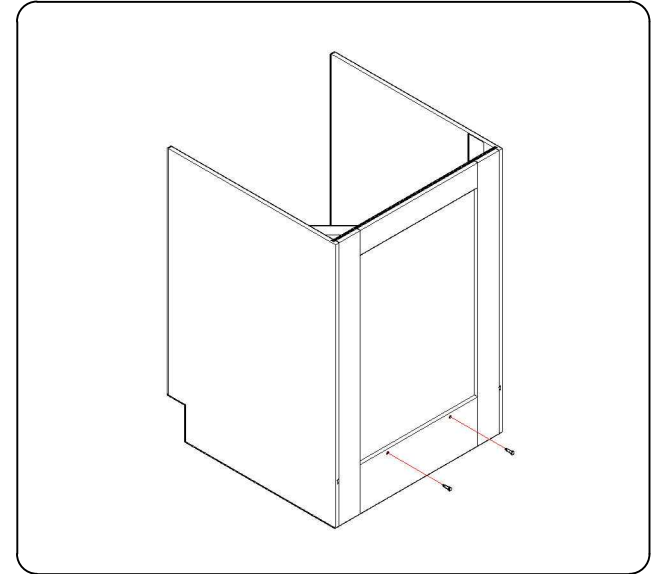
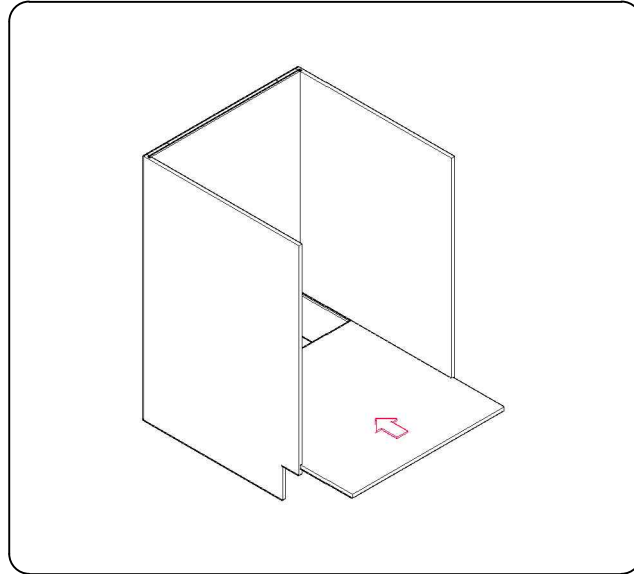
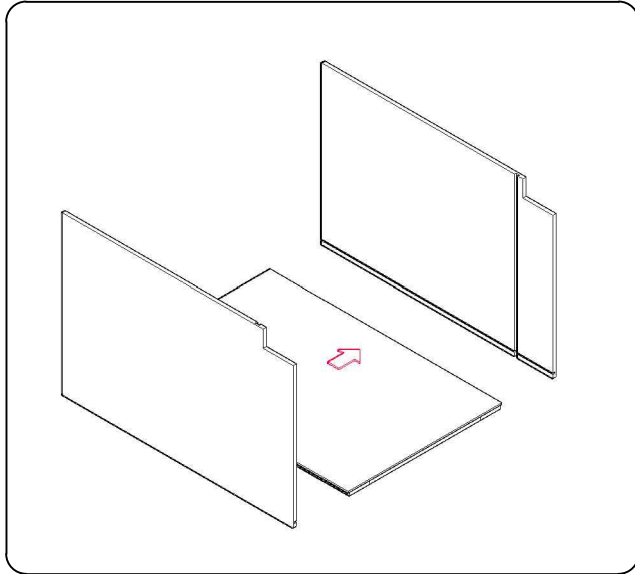
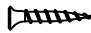




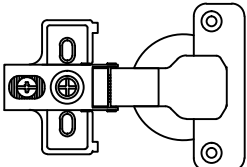


# SINK BASE CABINET

SB27 SB30 SB33



NO.	HARDWARE
1	4×25SCREW=2 
2	3.5×16SCREW=8 
3	4×14SCREW=8 
4	"L"PLATE=4 
5	BUMPER=8 
6	$\frac{1}{4}$ -H HINGE=4 
7	
8	

