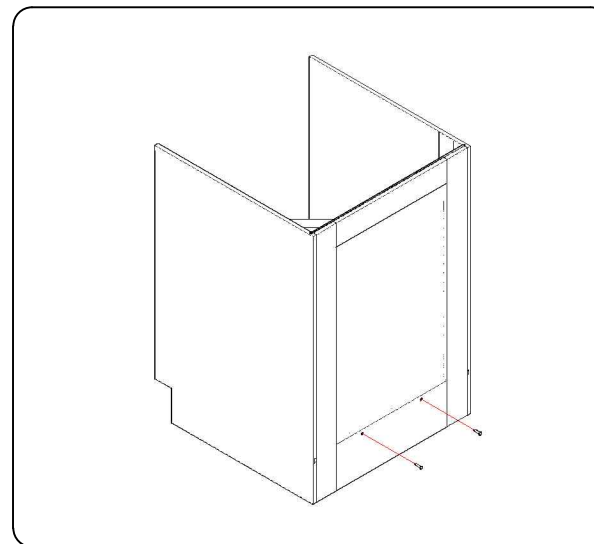
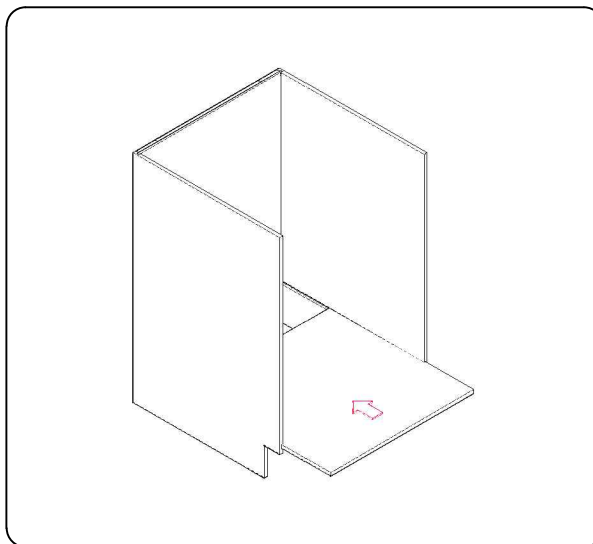
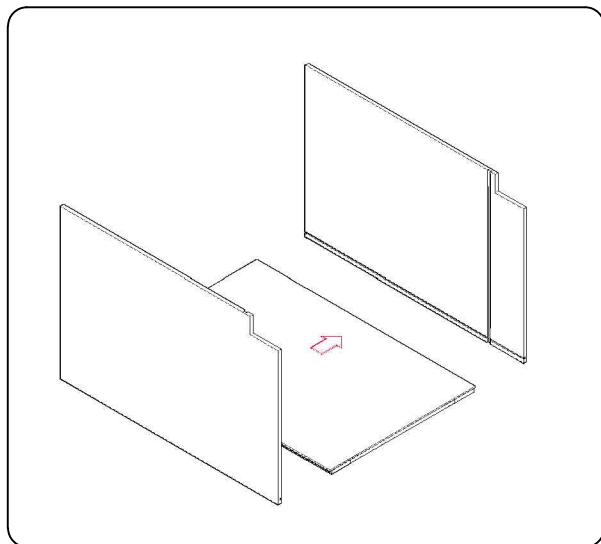
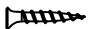
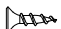



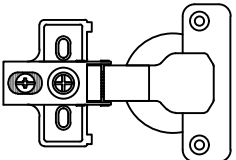


SINK BASE CABINET

SB36 SB42



NO.	HARDWARE
1	3.5×30SCREW=3 
2	4×14SCREW=16 
3	3.5×12SCREW=36 
4	"L"PLATE=9 
5	BUMPER=4 
6	 $\frac{1}{4}$ -H HINGE=4
7	
8	

