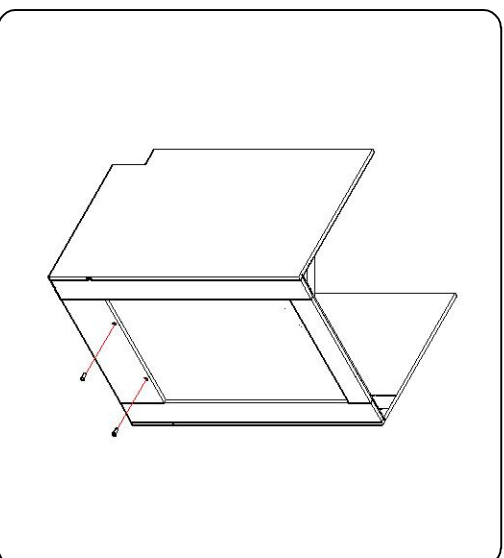
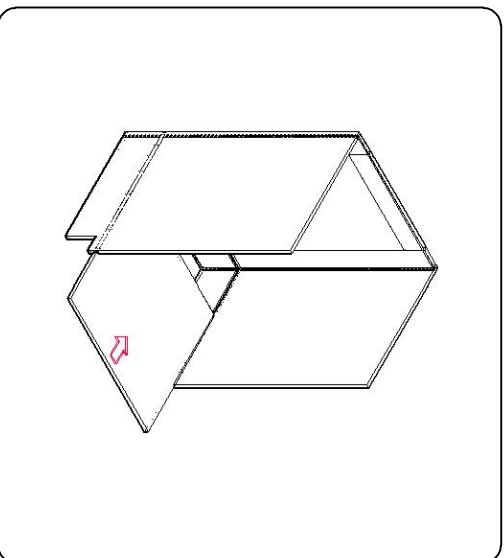
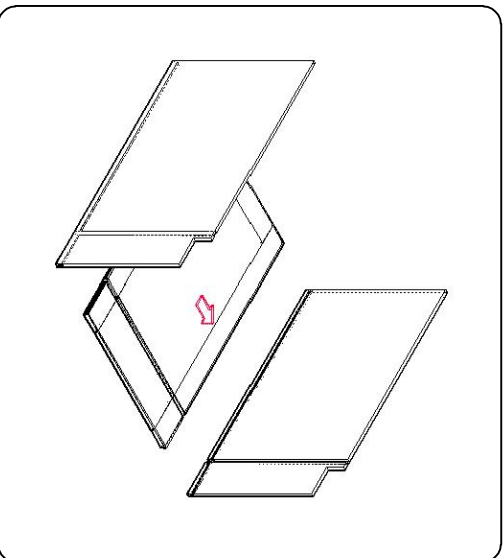





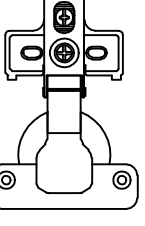


VANITY SINK BASE

VSB24 VSB30 VSB36



NO.	HARDWARE
1	4×25SCREW=10 
2	3.5×16SCREW=8 
3	4×14SCREW=8 
4	"L"PLATE=4 
5	BUMPER=4 
6	$1\frac{1}{4}$ -HINGE=4 
7	
8	

