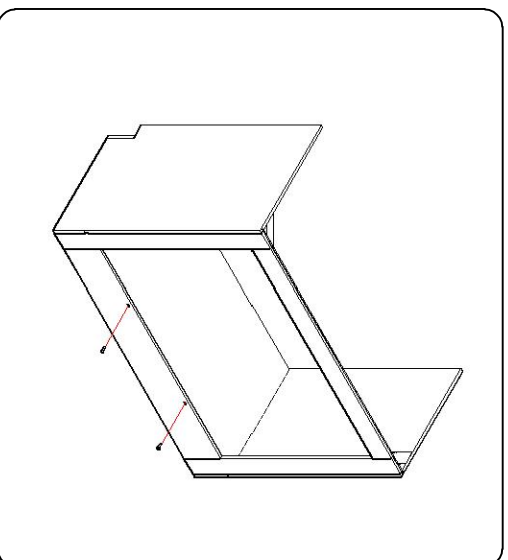
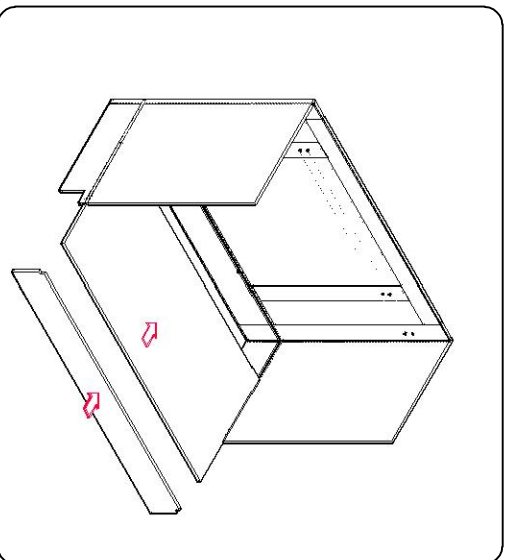
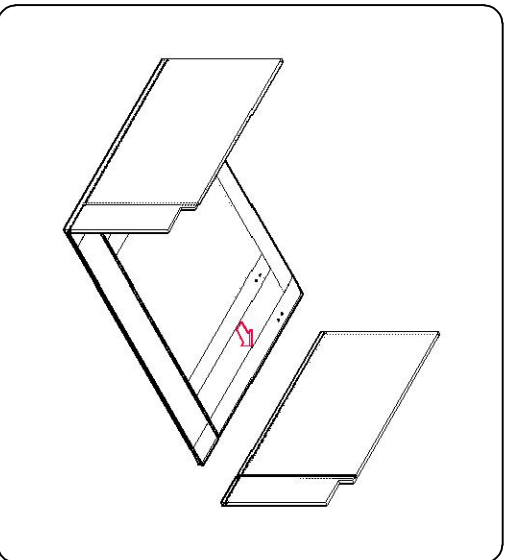





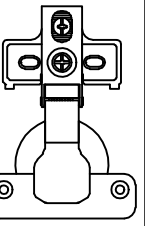


VANITY SINK BASE

VSD30R, VSD36R



NO.	HARDWARE
1	4×25SCREW=10 
2	3.5×16SCREW=4 
3	4×14SCREW=8 
4	"L"PLATE=4  BUMPER=12 
5	SLIDES(S30-457-H)=2
6	$1\frac{1}{4}$ -H HINGE=8
7	
8	

