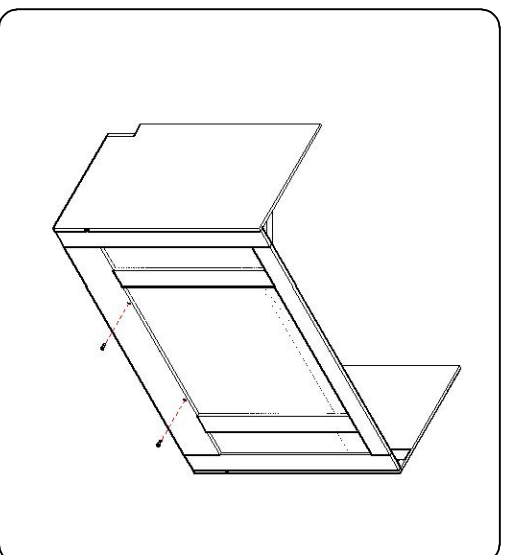
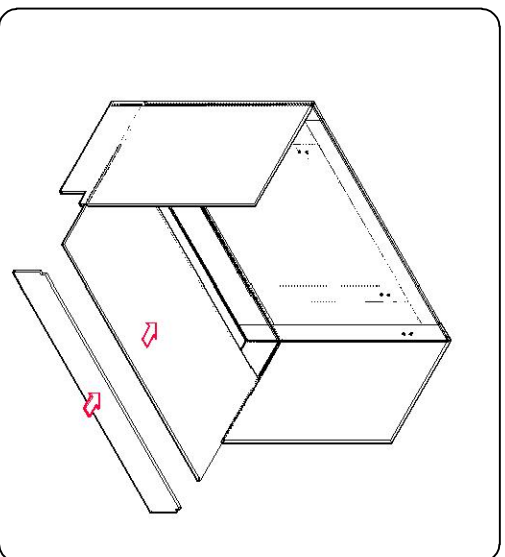
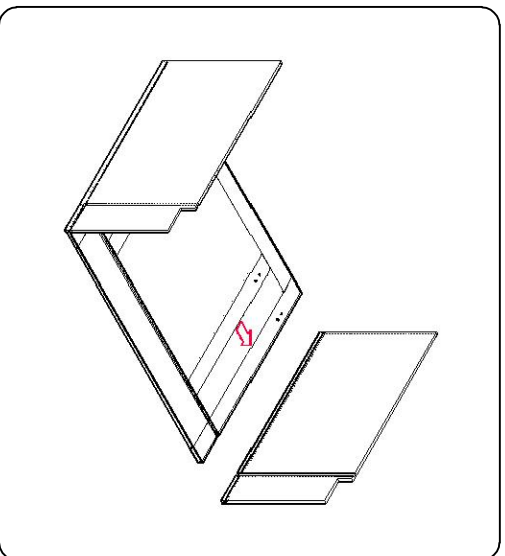





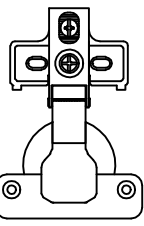


# VANITY SINK BASE

VSD48 VSD60D



NO.	HARDWARE
1	4×25SCREW=18 
2	3.5×16SCREW=16 
3	4×14SCREW=8 
4	"L"PLATE=4  BUMPER=24 
5	SLIDES(S30-457-H)=2
6	1 1/2"-H HINGE=8
7	
8	

