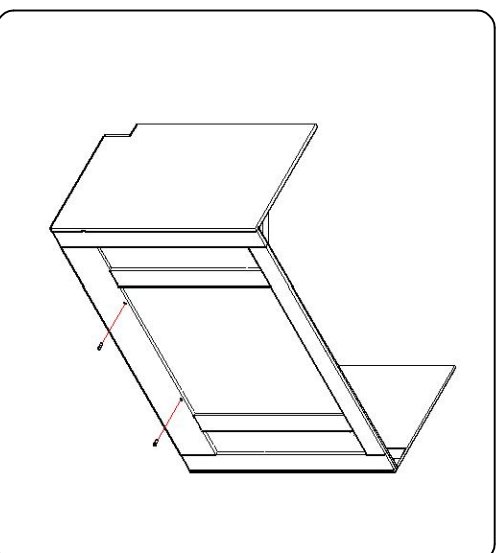
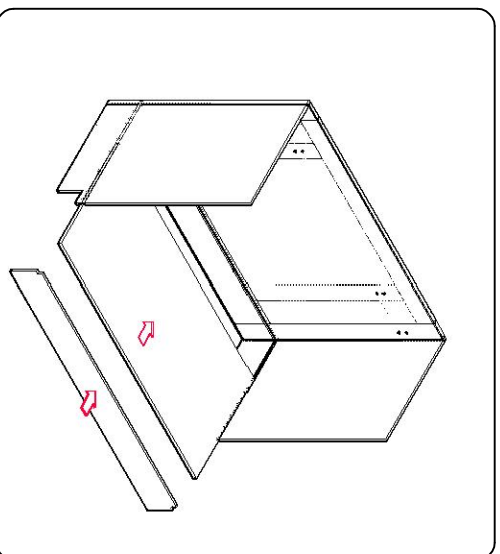
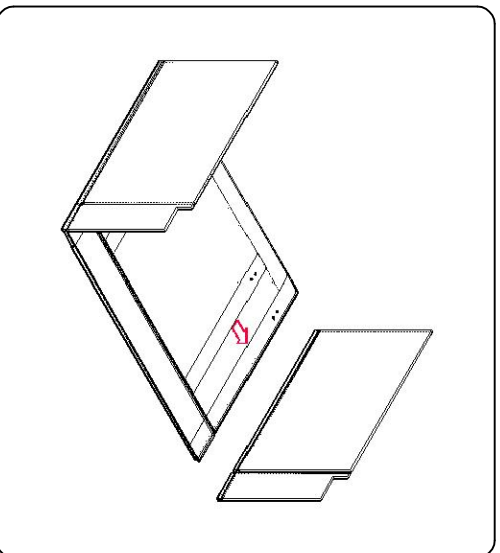





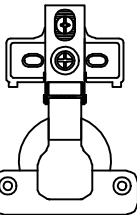


VANITY SINK BASE

VSD60DD VSD72DD



NO.	HARDWARE
1	4×25SCREW=18 
2	3.5×16SCREW=16 
3	4×14SCREW=8 
4	"L" PLATE=4  BUMPER=24 
5	SLIDES(S30-457-H)=2
6	1 $\frac{1}{2}$ -H HINGE=8
7	
8	

