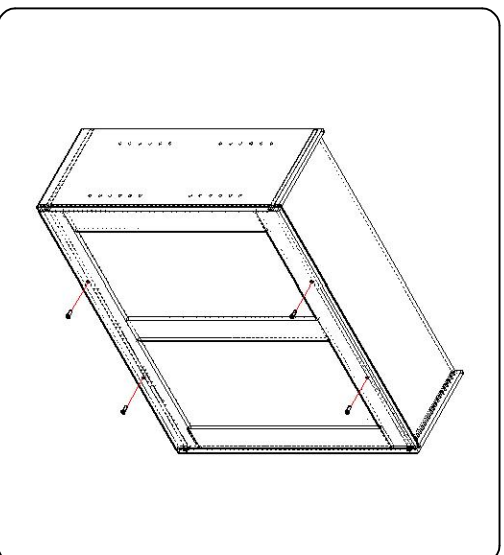
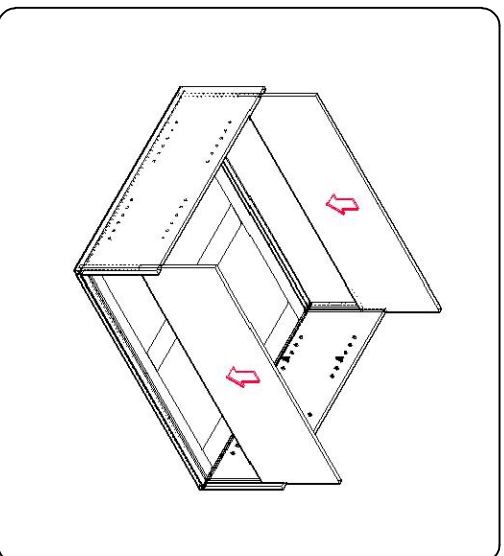
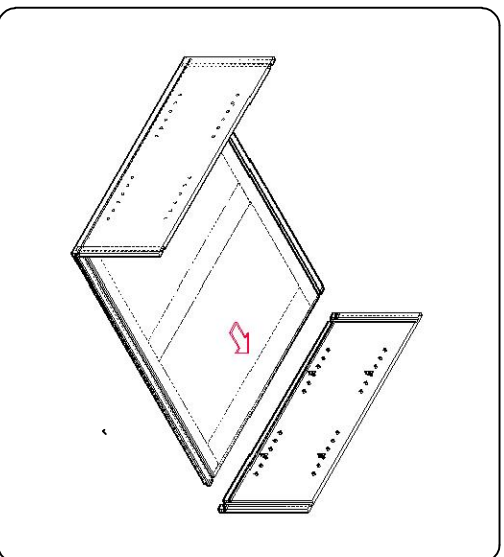




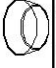


WALL BLIND CORNER

WBC3030, WBC3036



NO.	HARDWARE	
1	4×25SCREW=4	
2	3.5×16SCREW=4	
3	4×14SCREW=16	
4	"L"PLATE=8	
5	BUMPER=2	
6	1 $\frac{1}{4}$ "-H HINGE=2	
7		SUPPORT=8
8	