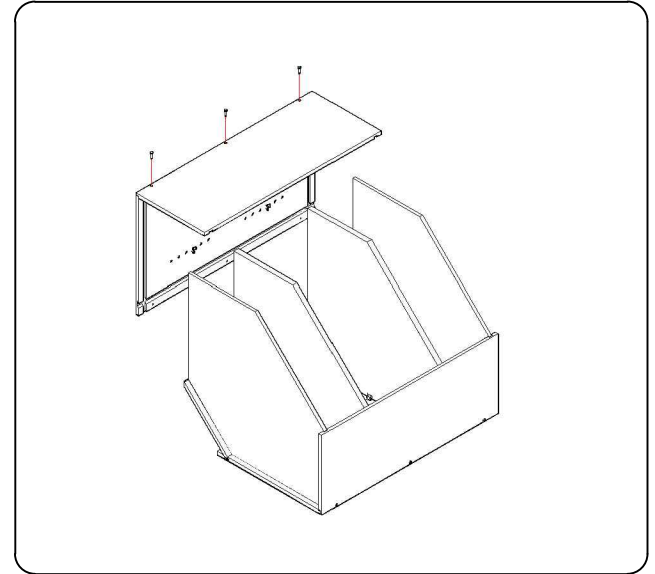
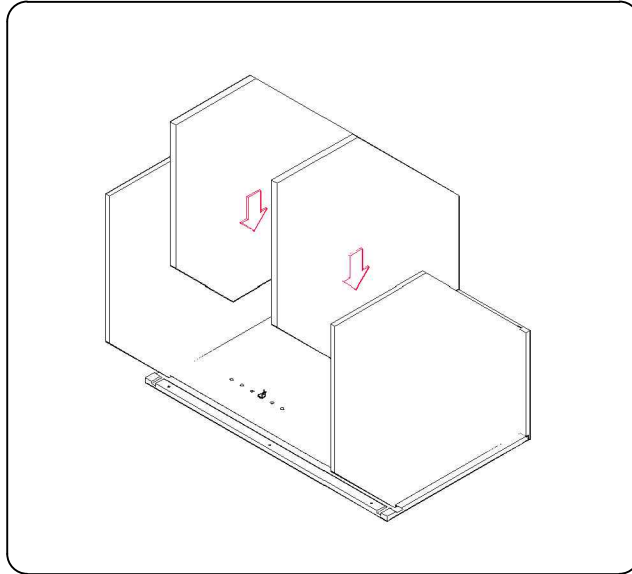
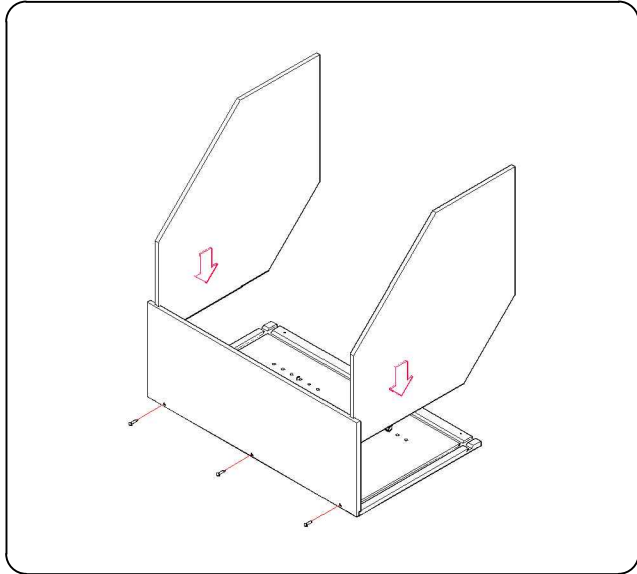
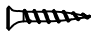
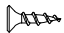

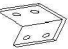

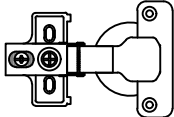


WALL DIAGONAL CORNER

WDC2430 WDC2436 WDC2742 WDC273015
WDC273615 WDC274215



NO.	HARDWARE	
1	3.5×30SCREW=8/10	
2	4×14SCREW=16	
3	3.5×12SCREW=48	
4	"L"PLATE=12 	BUMPER=2 
5		
6	$\frac{1}{4}$ -H HINGE=2/3	SUPPORT=16/24
7		
8	