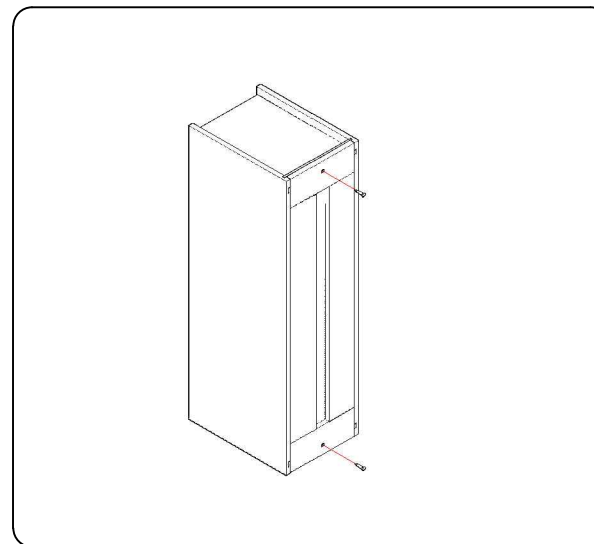
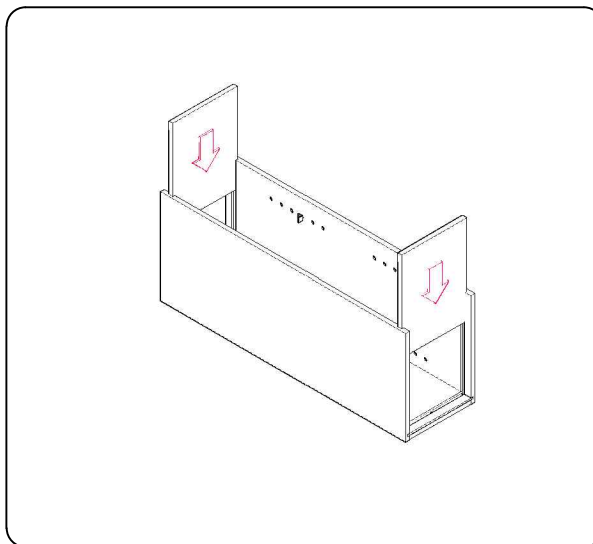
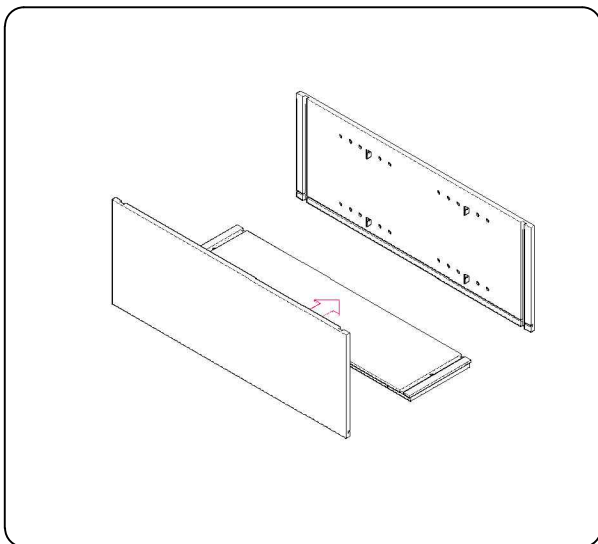
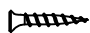
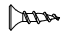



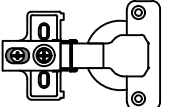
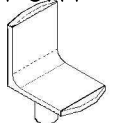


# WALL CABINET

W0942, W1242, W1542, W1842, W2142



NO.	HARDWARE	
1	4×25 SCREW=2	
2	3.5×16 SCREW=4	
3	4×14 SCREW=16	
4	"L" PLATE=8	
5	BUMPER=2	
6	1/4"-H HINGE=3	SUPPORT=12
7		
8		

