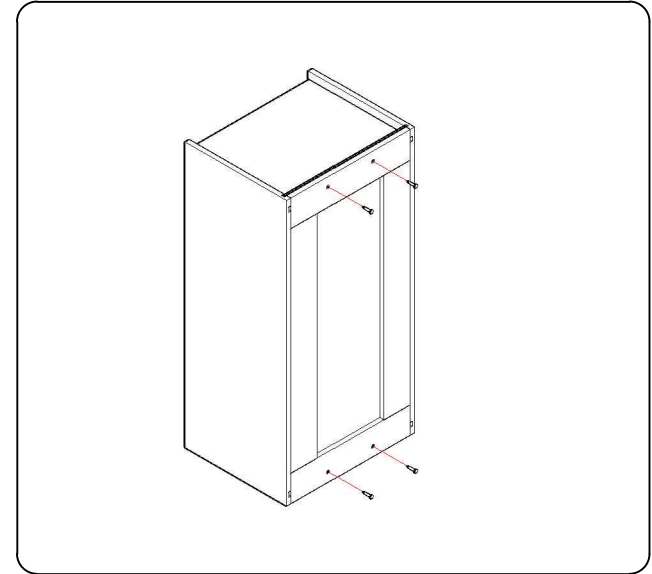
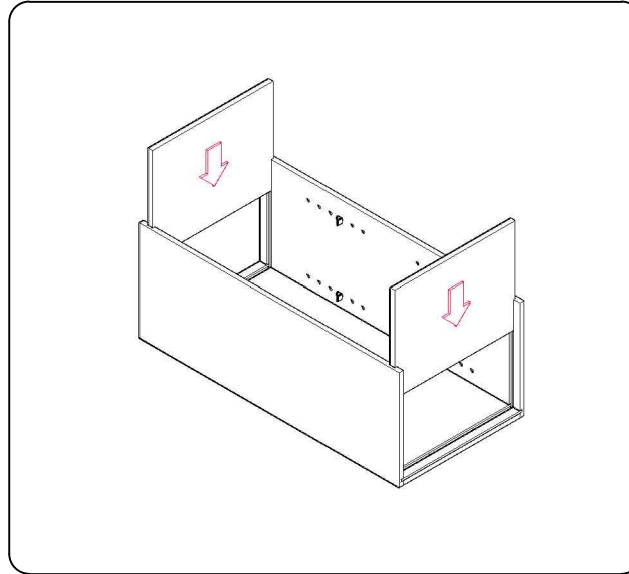
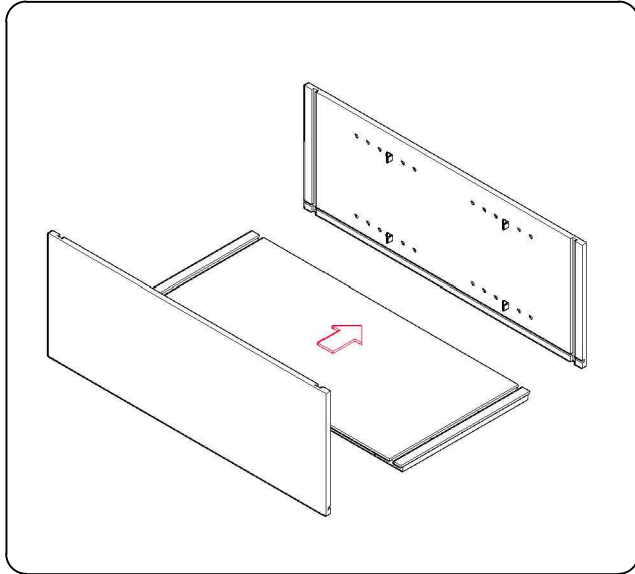
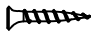
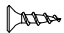

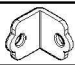
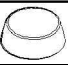
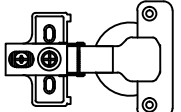
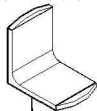


# WALL CABINET

W1242, W1542, W1842, W2142



NO.	HARDWARE	
1	4×25SCREW=4	
2	3.5×16SCREW=4	
3	4×14SCREW=16	
4	"L"PLATE=8	
5	BUMPER=2	
6	1 <sup>1</sup> / <sub>4</sub> -H HINGE=3	SUPPORT=12
7		
8		

