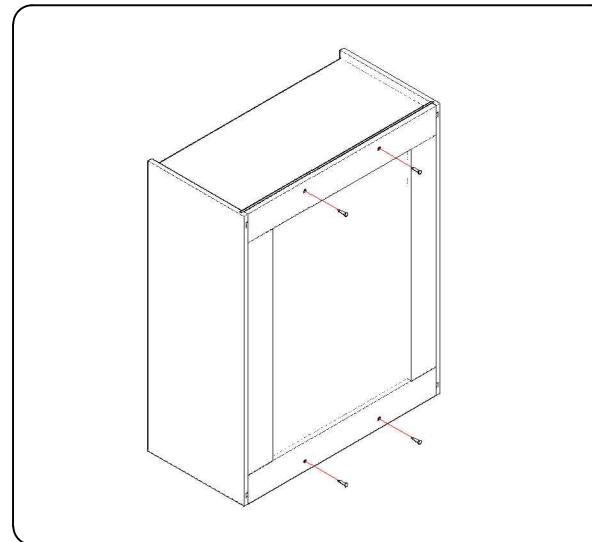
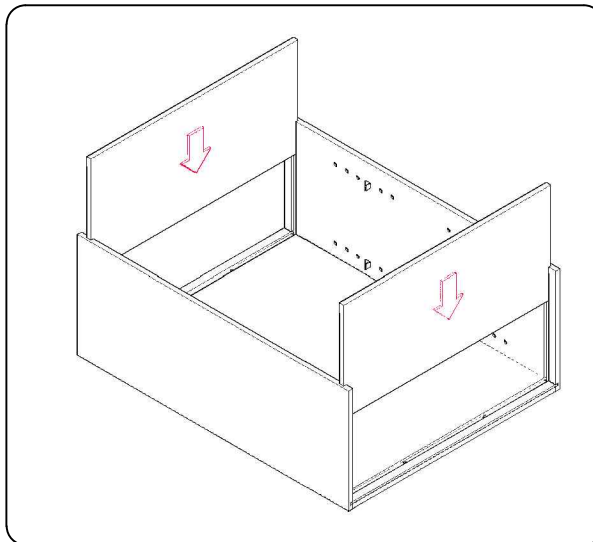
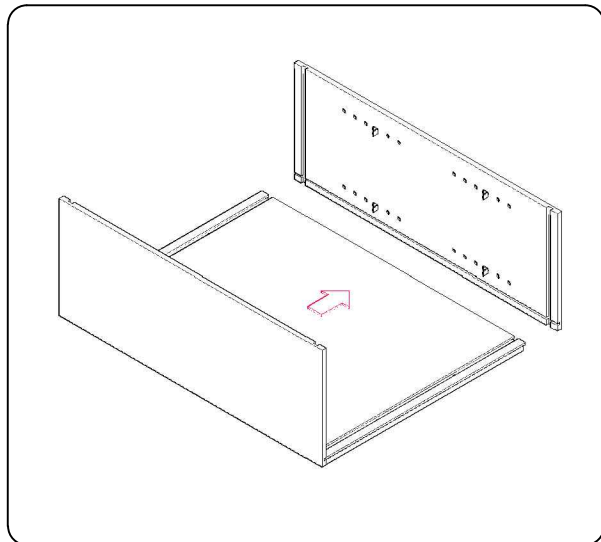
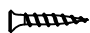
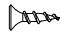



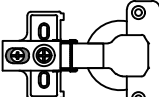



# WALL CABINET

W2430 W2730 W3030 W3330 W3630

W2436 W2736 W3036 W3336 W3636



NO.	HARDWARE	
1	3.5×30SCREW=4/6	
2	4×14SCREW=0	
3	3.5×12SCREW=40/48	
4	"L"PLATE=10/12	
5	BUMPER=4	
6	$1\frac{1}{4}$ -H HINGE=6	SUPPORT=12
7		
8		

