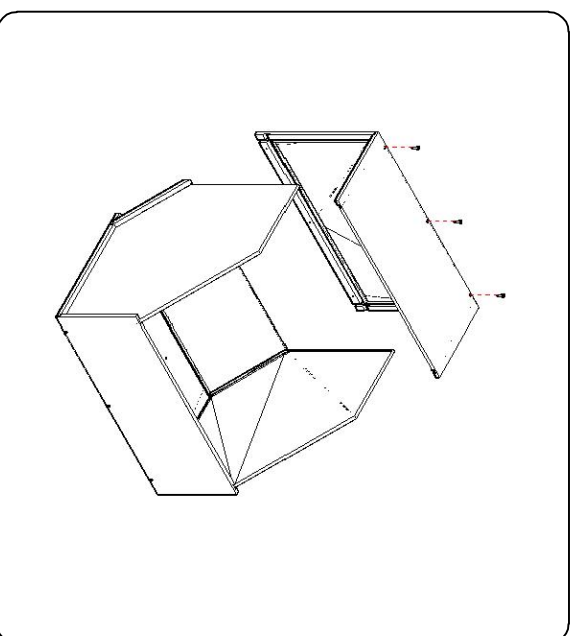
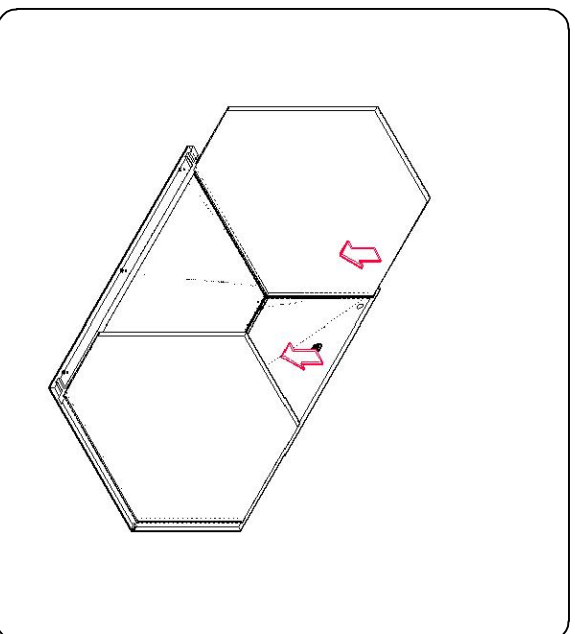
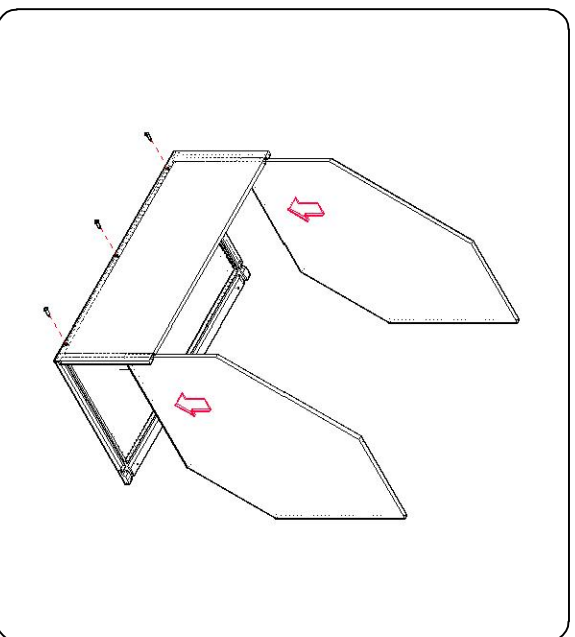





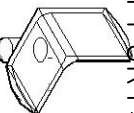


WALL DIAGONAL CORNER

WDC24.1512



NO.	HARDWARE	
1	4x25SCREW=18	
2	4x16SCREW=8	
3	4x14SCREW=8	
4	"L"PLATE=4	
5	BUMPER=2	
6	1/4"-H HINGE=2	
7	SUPPORT=16	
8		